

Wireless Bridge SX-BR-4600WAN Setup Guide

Thank you for purchasing the Wired LAN-to-Wireless LAN bridge, Wireless Bridge SX-BR-4600WAN (hereinafter, "This product").

This product is the wireless bridge which can add a wireless connection feature to non-wireless devices with a 10/100/1000BASE-T wired LAN interface. In addition to printers with a wired LAN port, various devices such as surveillance cameras, etc. can easily be connected to a wireless LAN. Also, wireless security feature of this product will allow secure use of your network devices.

This Setup Guide explains how to setup and use this product in a wireless network.



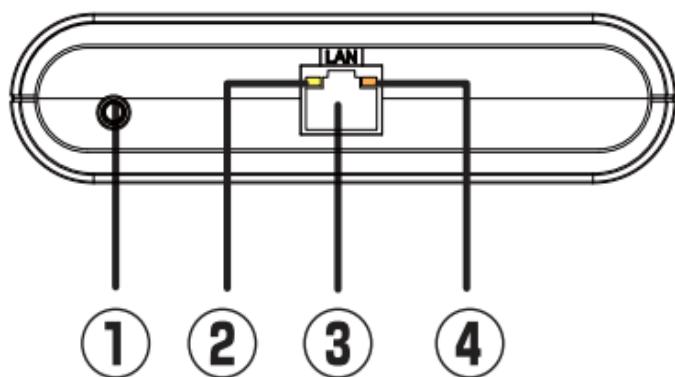
Oct, 2012



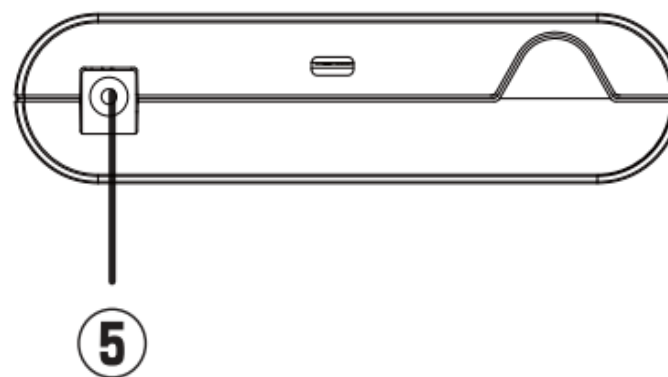
WA100740XA

Parts and function

FRONT

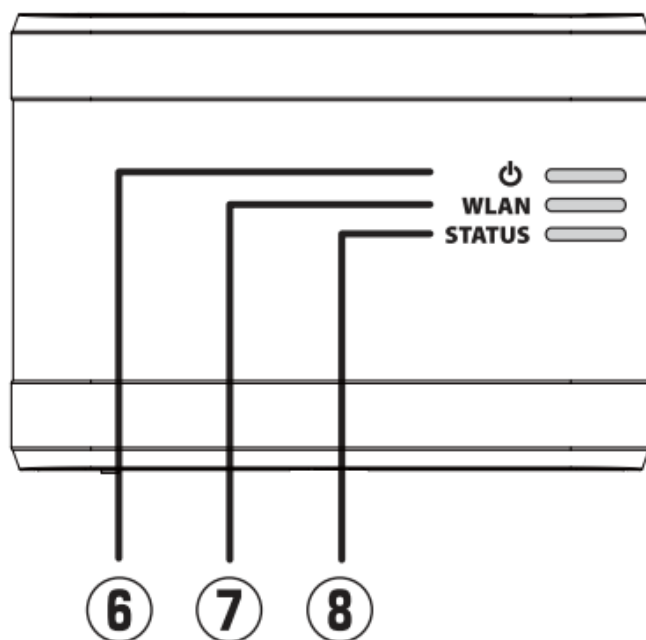


BACK

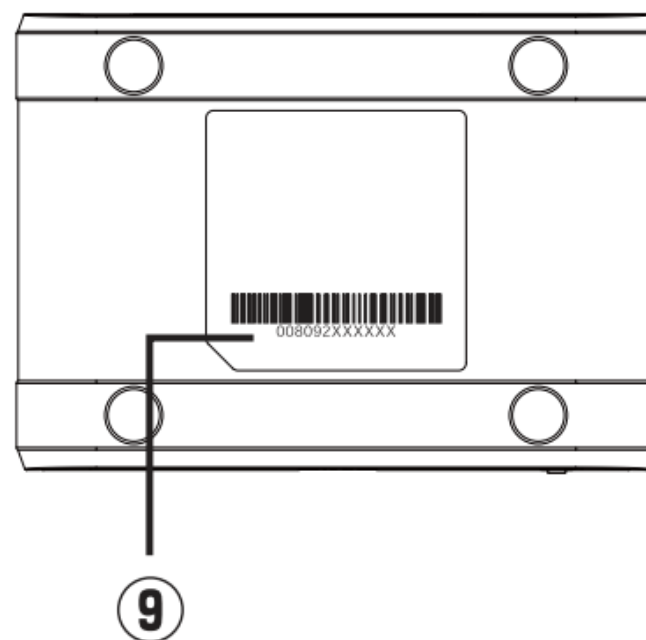


①	Push switch	<p>Starts this product in Configuration Mode: Press and hold the push switch for 5 sec while this product is active.</p> <p>Resets this product to factory default settings: Press and hold the push switch while turning on this product. Release the switch when the Link LED turns to Orange and then Green.</p>
②	Status LED (Yellow)	<p>BLINK : Waiting for connection when Link LED is OFF. Transferring data when Link LED is ON.</p>
③	LAN port	Connects to the network cable.
④	Link LED (Green/Orange)	<p>ON(Green) : Connected to 10BASE-T/100BASE-TX network ON(Orange) : Connected to 1000BASE-T network</p>
⑤	Power connector	Connect AC adapter.

TOP



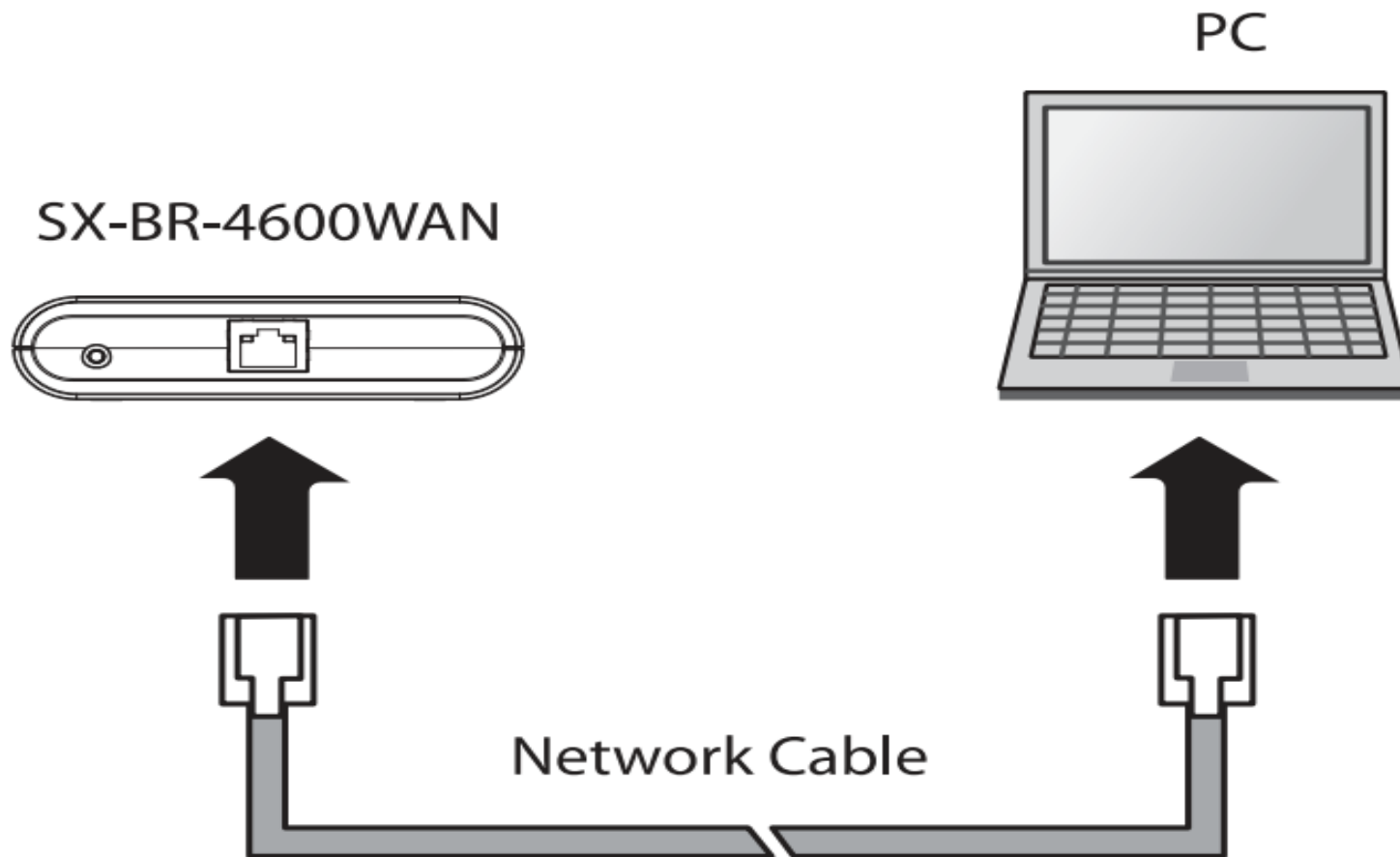
BOTTOM



⑥	POWER LED (Orange)	Turns ON when this product is powered on.
⑦	WLAN LED (Green)	ON : Running in Infrastructure mode. OFF : Running in Ad hoc mode. * Blinks together with STATUS LED when running in Configuration Mode .
⑧	STATUS LED (Green)	ON : A network connection is established. BLINK : Transferring data. * Blinks together with WLAN LED when running in Configuration Mode .
⑨	Ethernet address	The Ethernet (MAC) Address of this product is found on the bottom. The last 6 digits are the product's serial number. Example) If the Ethernet Address is 00:80:92:00:11:22 (noted as 008092001122) then the product's serial number is 001122.

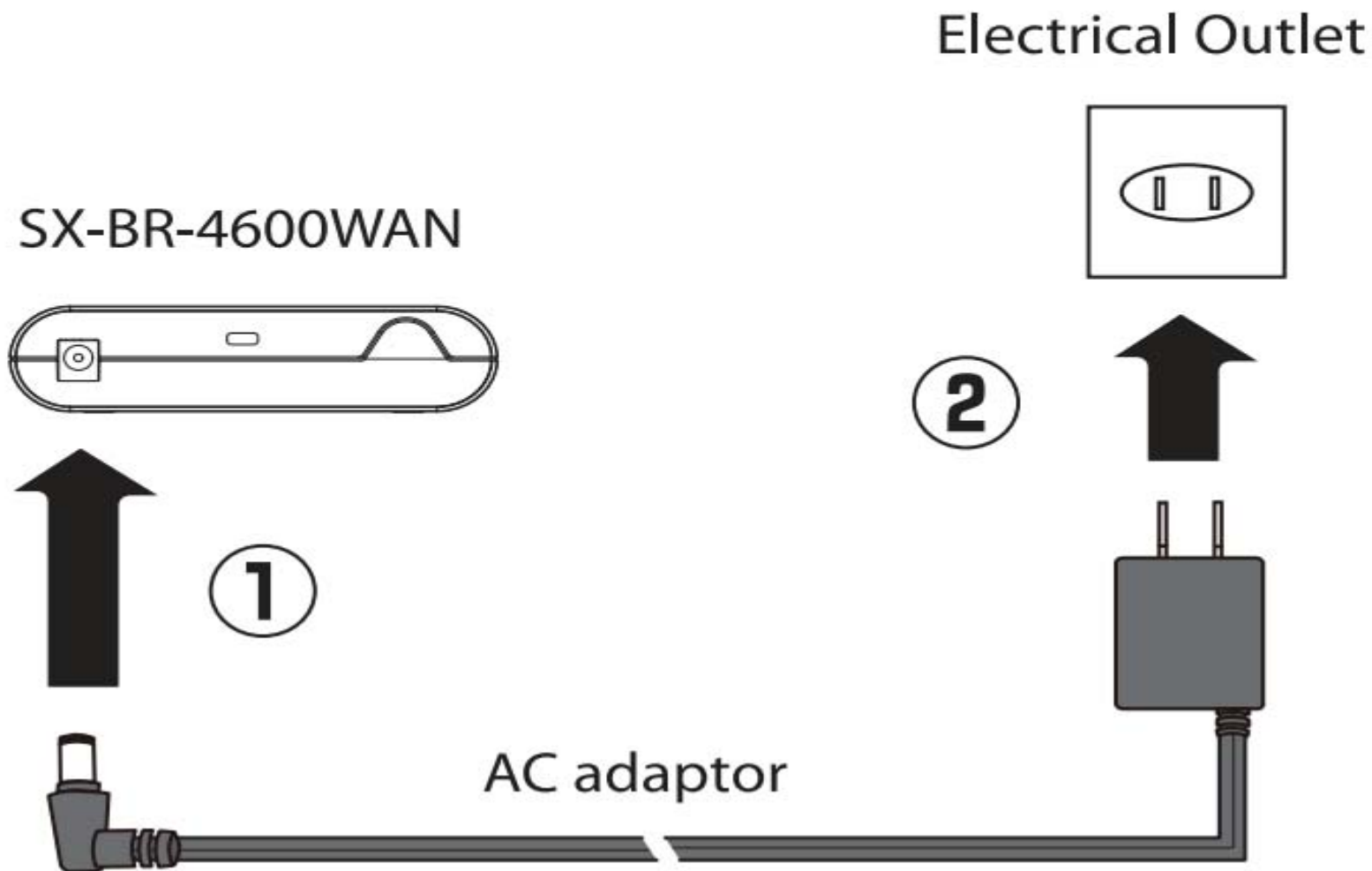
Step1 Start in Configuration Mode

- 1 Connect this product to the PC using the network cable that came with this product.

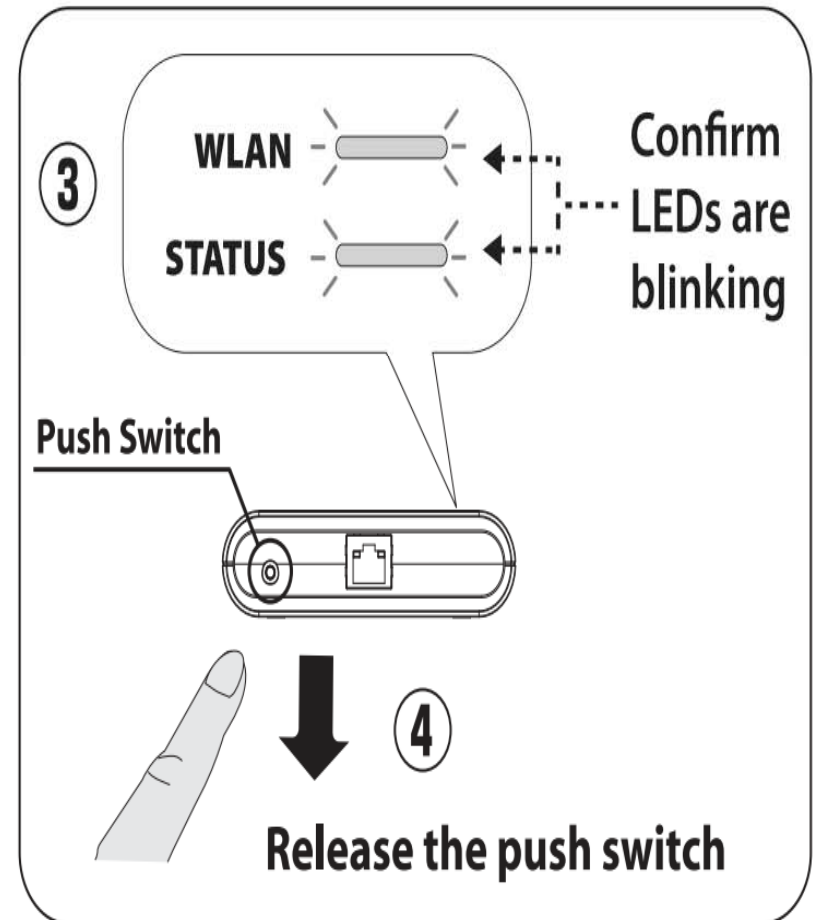
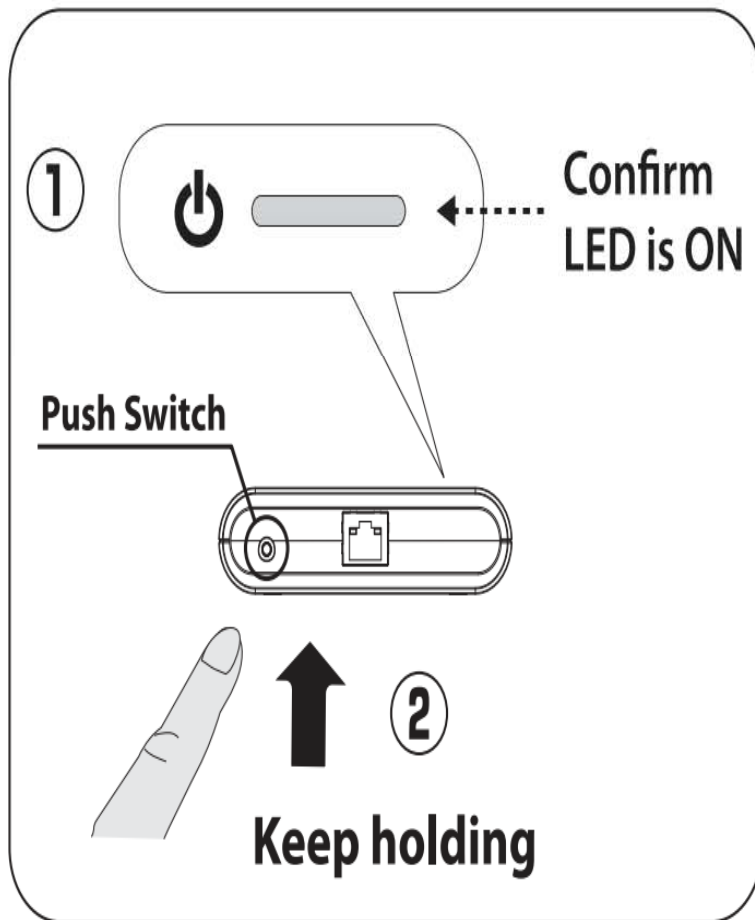


2

Connect the AC adapter to this product, and the AC adapter's plug to an electrical outlet.



- 3** When the POWER LED (at the top) turns ON, press and hold the push switch (at the front).
Release the push switch when WLAN LED and STATUS LED start to blink together (It may take 20sec until blinking).
This product will start running in the **Configuration Mode** then. Now you can configure this product from the PC that has been connected to this product via a network cable.



Step2 Setup

- 1 Start a Web browser (Internet Explorer, Safari, etc) on the PC you are using for the setup. The Web page of this product is displayed.

The screenshot displays the web configuration interface for the Silex SX-BR-4600WAN. The page is titled "Wireless LAN Configuration" and features two tabs: "Easy Configuration" and "Detailed Configuration". The "Easy Configuration" tab is active, showing a step-by-step guide to configure the wireless LAN settings. The guide includes a table of available wireless networks and a form for entering the network key.

silex technology

Select Language
English

▼ System Configuration
- Wireless LAN Configuration
- Advanced Configuration
- Certificate Configuration
- Password Configuration

▼ Maintenance
- Reboot
- Initialize System Configuration
- Firmware Update

▼ Information
- License Information

silex
SX-BR-4600WAN
Ver x.x.x
[0080:92:00:11:22]

Wireless LAN Configuration

Easy Configuration Detailed Configuration

The following is the procedure to configure the wireless LAN settings. [HELP](#)

1. Select a wireless network.
▶ Wireless Network List [Search Wireless Networks](#)

Select	SSID	RSSI	CH	Wireless Standard	Wireless Mode
<input type="radio"/>	Wireless-Network-01		6	11g	Infrastructure
<input type="radio"/>	Wireless-Network-02		6	11g	Infrastructure
<input type="radio"/>	Wireless-Network-03		11	11g	Infrastructure

2. Enter the Network Key.
Network Key
3. Save the configuration and reboot this product.

Copyright (C) 2012 silex technology, Inc.

- * If the Web page is not displayed, enter "silex" in the address bar of the Web browser and press the **Enter** key.



- * If a password is set to this product, a password entry screen is displayed. Enter the password and click **Login**.
- * This screen is not displayed at the initial setup. Go on to **2** then.

■ Welcome to Wireless Bridge SX-BR-4600WAN

Enter the password, and click [Login].

Password

Login

Select Language

English ▼

Ver. x.x.x
[00:00:00:00:00:00]

silex
technology

Copyright (C) 2012 silex technology, Inc.

2

In the Web page, select the destination network from the **Wireless Network List** and enter the WEP Key or Shared Key for the **Network Key**. Click **Submit** when finished.

silex technology

Select Language
English

▼ System Configuration
- Wireless LAN Configuration
- Advanced Configuration
- Certificate Configuration
- Password Configuration

▼ Maintenance
- Reboot
- Initialize System Configuration
- Firmware Update

▼ Information
- License Information

silex SX-BR-4600WAN
Ver x.x.x
[00:80:92:00:11:22]

Wireless LAN Configuration

Easy Configuration Detailed Configuration

The following is the procedure to configure the wireless LAN settings. [HELP](#)

1. Select a wireless network.
▶ Wireless Network List

Select	SSID	RSSI	CH	Wireless Standard	Wireless Mode
<input checked="" type="radio"/>	Wireless-Network-01		6	11g	Infrastructure
<input type="radio"/>	Wireless-Network-02		6	11g	Infrastructure
<input type="radio"/>	Wireless-Network-03		11	11g	Infrastructure

2. Enter the Network Key.
Network Key
3. Save the configuration and reboot this product.

Copyright (C) 2012 silex technology, Inc.

- * If the destination network is not displayed in the **Wireless Network List**, click **Detailed Configuration** at the top of the page. In the page displayed, enter the wireless settings of the network that you wish to connect this product to, and click the **Submit** button. Refer to the HELP for details on each setting.

The screenshot displays the 'Wireless LAN Configuration' page for the Silex SX-BR-4600WAN. The page is divided into two main tabs: 'Easy Configuration' and 'Detailed Configuration'. The 'Detailed Configuration' tab is highlighted with a black oval. Below the tabs, there is a section for 'Wireless LAN Basic Configuration' and a section for 'WEP Configuration'. The 'Wireless LAN Basic Configuration' section contains the following settings:

Name	Value
Operating Mode	AdHoc
SSID	SX001122
Channel	802.11b/g
	11
Network Authentication	Open
IEEE 802.1X Authentication	OFF

The 'WEP Configuration' section contains the following settings:

Name	Value
WEP	OFF

At the bottom of the page, the Silex logo and product information are visible: 'silex SX-BR-4600WAN Ver x.x.x [00809200-11-22]'. The copyright notice 'Copyright (C) 2012 silex technology, inc.' is located at the bottom right.

- * To connect multiple network devices using an Ethernet HUB, click **Advanced Configuration** and select **Multi-Client Mode** for **Client Mode**. For details, refer to **Other functions** on the back of this setup guide.

The screenshot displays the Silex technology web interface. On the left sidebar, the 'Advanced Configuration' menu item is circled with a '1'. The main content area is titled 'Advanced Configuration' and contains a table of configuration parameters. The 'Client Mode' parameter is circled with a '2' and is set to 'Multi-Client Mode'.

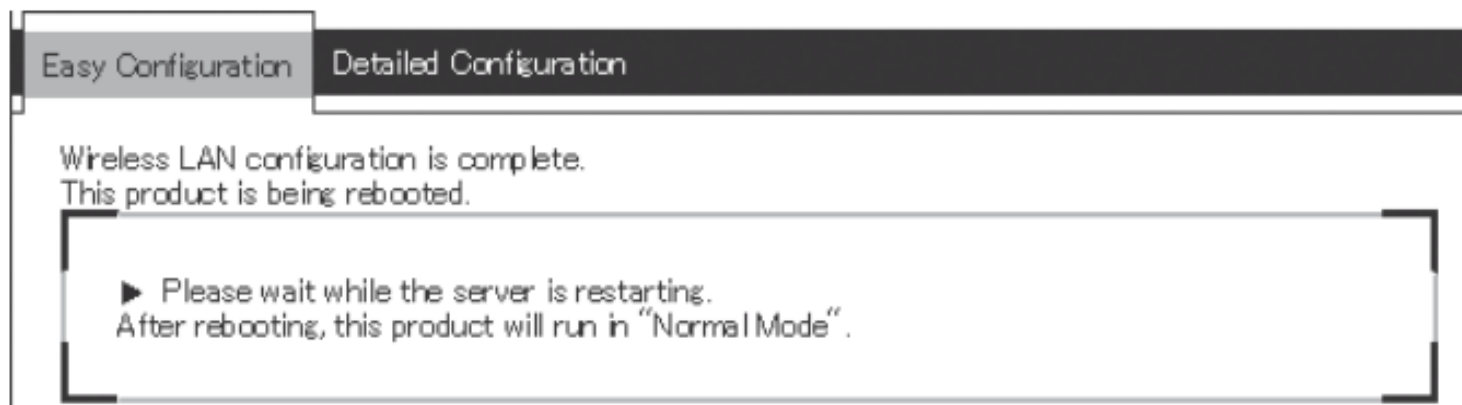
Name	Value
LAN Interface	AUTO
Network Device Address	
Client Mode	Multi-Client Mode
IEEE802.11g Ad hoc Mode	ON

Buttons for 'Submit' and 'Reset' are located at the bottom right of the configuration area.

silex
SX-BR-4600WAN
Ver. x.x.x
[00:80:92:00:11:22]

Copyright (C) 2012 silex technology, Inc.

- 3 Once a message appears indicating that the configuration has been completed, close the Web browser.

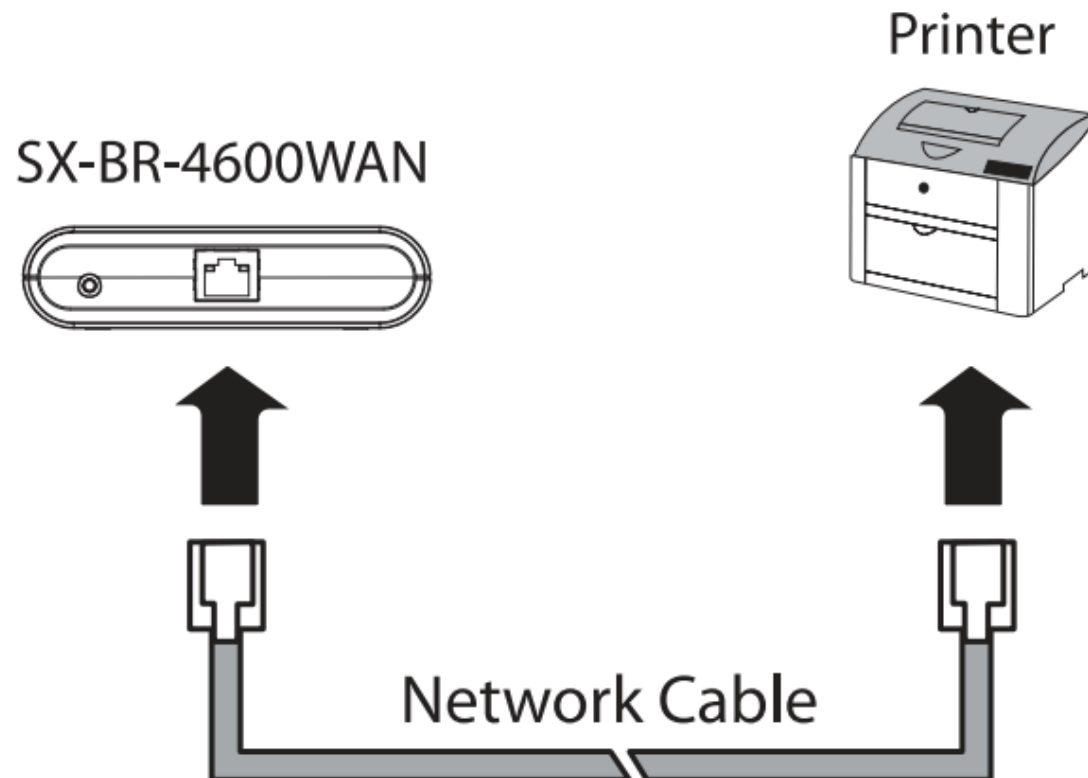


- 4 The configuration has now been completed.
To give a wireless feature to the same PC (the one you have been using for configuration), please restart the PC.
To give a wireless feature to the other device, turn off both this product and the PC, and remove this product from the PC. Refer to **Step3** to connect this product to the network device using a network cable.

Step3 Connect to the network device you wish to use wirelessly

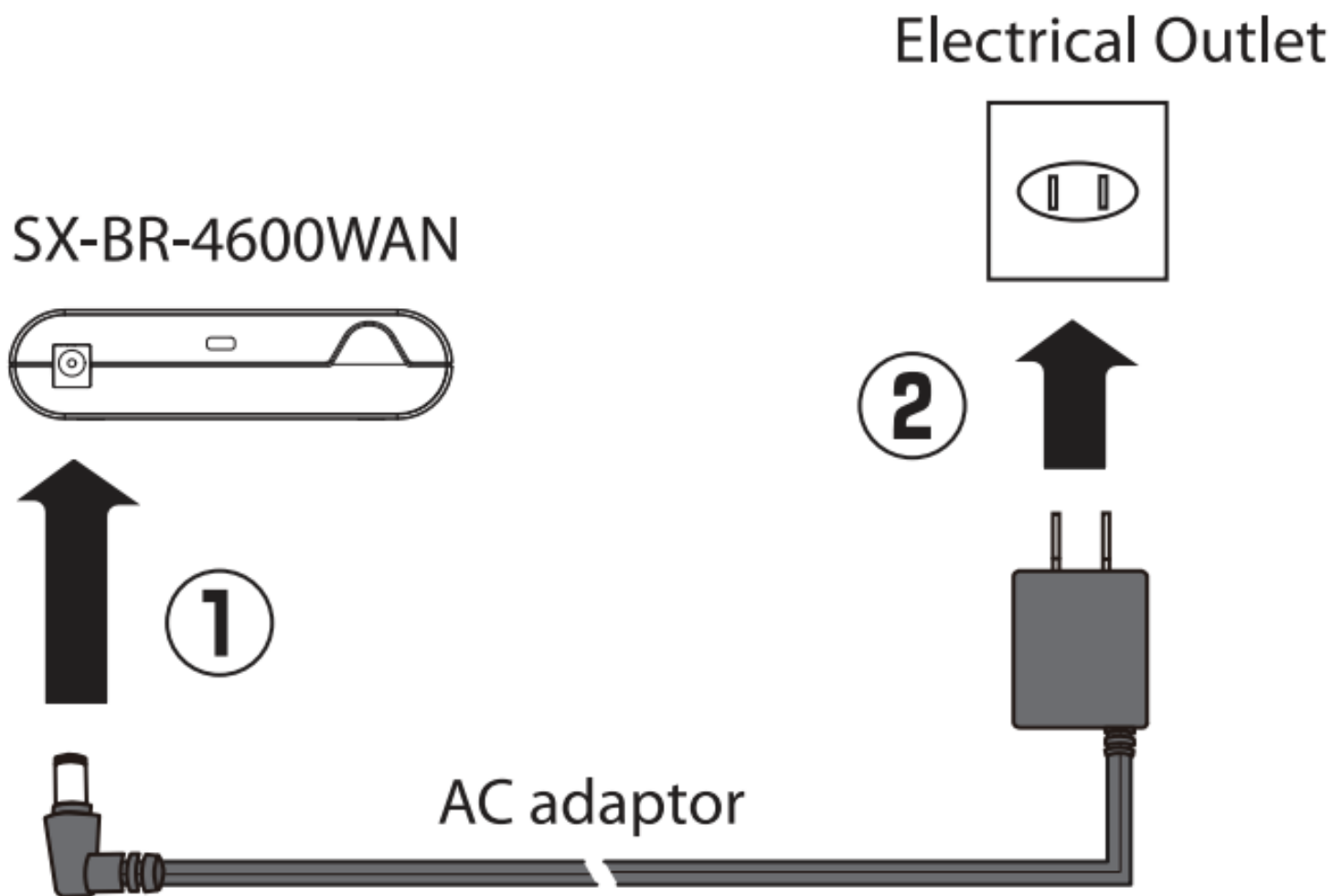
- 1 Turn off the network device that you wish to use wirelessly via this product. Connect it to this product using the network cable.

Sample connection in **Single Client Mode**



2

Connect the AC adapter to this product and the AC adapter's plug to the electrical outlet.



3

Turn on the network device connected to this product.

- * Some network devices may require additional network settings. In such cases, refer to the manual that came with the network device.
- * When turning on this product and network devices, be sure to turn on this product first. Also, do not press the push switch then.

Other functions

On the Web page, the following configurations are available by clicking each item on the left pane.

■ Advanced Configuration

The following configurations are available:

- Wired LAN Interface

Select a transfer speed for the wired LAN. Set the same transfer speed as that of the network device. In most cases, "AUTO" is used.

- Network Device Address

Configure the Ethernet Address of the connected network device. Configure this setting if WLAN LED and STATUS LED flash alternately for more than 30 seconds after this product is powered on. In most cases, this field is left blank.

- Client Mode

If you will connect only one network device to this product, select **Single Client Mode**.

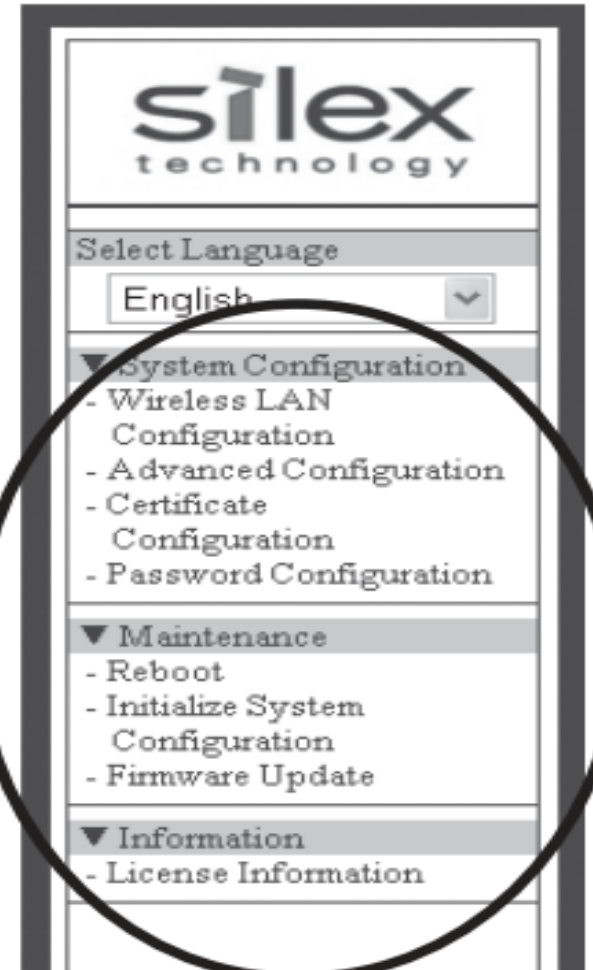
If you will connect two or more network devices to this product using an Ethernet HUB, select **Multi-Client Mode**. Please note that when **Multi-Client Mode** is used, only TCP/IP (including UDP and IPv6) can be used as the protocol. In **Multi-Client Mode**, up to 16 network devices can be used.

- IEEE802.11g Ad hoc Mode

If **ON** is selected, you can utilize a high-speed communication between this product and network devices supporting IEEE802.11g Ad hoc, when they are running in Ad hoc mode. However, if network devices that don't support IEEE802.11g Ad hoc are present on the network, communication may become unstable. In such a case, select **OFF**.

■ Certificate Configuration

Register the certificate that will be used for IEEE 802.1X authentication. For details, refer to the **Help** in the Web page of this product.



■ Password Configuration

Set a password to access the Web page of this product. If a password is set, a password entry screen will appear when you attempt to access the Web page.

■ Reboot

Restart this product via the Web page.

■ Initialize System Configuration

Initialize the system information configured to this product and reset it to the factory default settings. It is also possible to initialize the system information by using this product's push switch.

How to initialize the system information using the push switch:

- (1) Disconnect the AC plug of this product from the electrical outlet.
- (2) While reconnecting the AC plug to this product, press and hold the push switch at the front of this product. Keep pressing and the factory default configuration will begin.
- (3) When Link LED on a LAN port turns to Orange and then Green, the factory default configuration is complete. Release the push switch.

■ Firmware Update

This product's firmware can be upgraded by specifying a firmware update file. The latest firmware update file can be found on our website. For details, refer to our website at "www.silex.jp".

■ License Information

Shows information about the technical licenses used in this product.

Tips on Troubleshooting

This section explains the troubleshooting procedures to resolve possible problems you may experience while installing this product. Please also refer to the FAQ and the latest information about this product at the silex web site (<http://www.silex.jp/>).

Q: An error message is displayed when accessing the Web page.

A1: Please confirm this product is running in **Configuration Mode**.

This product will accept accesses from a Web browser only when it is running in **Configuration Mode**. If this product is running in **Configuration Mode**, WLAN LED and STATUS LED should blink together. For how to start in **Configuration Mode**, refer to **Step1 Start in Configuration Mode**.

A2: Please check the IP address of the PC you are using for the configuration.

If the IP address of the PC is static, add **1** to the last digit of the address and enter it into the address bar of the Web browser.

(For example, if the IP address of your PC is "192.168.0.10", enter "192.168.0.11".)

Also, if you are using Mac OS X and Safari, it may be necessary to disable **Web Proxy (HTTP)** at Mac OS network settings, depending on the Safari version.

A3: While keeping this product turned on and running in **Configuration Mode**, restart the PC you used for the configuration, and access the Web page again.

Q: The network device this product is connected to cannot be used over the network.

A1: Please confirm this product is NOT running in **Configuration Mode**.

If this product is running in **Configuration Mode**, WLAN LED and STATUS LED should blink together. In such a case, please restart this product, making sure not to push the push switch then.

A2: Please check the status of LED on top of this product.

If WLAN LED and STATUS LED flash alternately for more than 30 seconds, this product fails to communicate with the connected network device. Check the following points and restart the network device.

- Is the network device turned on?

- Is the wired LAN to which the network device is connected working?

If the LED status does not change even after checking the connection, access the Web page of this product and click **Advanced Configuration**. In the page displayed, enter the Ethernet address of the network device into **Network Device Address**.

A3: Verify that the network settings of the network device are properly configured.

Remove this product from the network device and try to use the network device via the wired LAN without this product. If you still cannot communicate with the network device, the network setting of the network device may need to be changed.

A4: Please check the wireless LAN settings of this product.

Try to access the network device connected to this product from other devices such as a PC. If the STATUS LED of this product does not blink, the wireless LAN settings of this product may not be correct. Please configure the wireless LAN settings of this product again.

A5: If POWER LED flashes rapidly, the network device may have been connected to the other device while this product is running. In this case, reboot this product and then the network device.

* Please contact our customer support in case your problem is not listed in this manual, or cannot be resolved by the given information.

Wireless Bridge SX-BR-4600WAN Specifications

Operating environment	Temperature : +0 C to +40 C , +32 F to +104 F Humidity : 20% to 80%RH (Non-condensing)	
Storage environment	Temperature : -10 C to +50 C , +14 F to +122 F Humidity : 20% to 90%RH (Non-condensing)	
EMI	VCCI Class B / FCC Class B / ICES Class B / EN55022 / EN55024	
Wired network interface	10BASE-T/100BASE-TX /1000BASE-T (Auto-sensing) x 1 port Auto MDI/MDIX	
Wireless network interface	IEEE802.11 a/b/g/n (2Tx2R) (For channels you can use, check the regulations in your country.)	
Push Switch	1	
LED	Top	POWER (Orange) WLAN (Green) STATUS (Green)
	LAN port	Status (Yellow) Link (Green/Orange)
Supported devices	Network devices with a network port (RJ-45) on them	
Max number of devices that can be connected	Single Client Mode: 1 device / Multi-Client Mode: 16 devices	

User registration

After finishing the configuration for this product, please go on to the user registration on our home page. User registration is highly recommended to assure you better support for your product. For user registration, please visit our web site at:

Global Site;	http://www.silex.jp/register/
USA Site;	http://www.silexamerica.com/us/regist/index.html
Europe Site;	https://www.silexeurope.com/euro/regist/index.html

* For user registration, a "Serial Number" is required.

The serial number is the last 6 digits of the Ethernet Address that can be found on the bottom.

Customer Support Center

silex will support you by e-mail and phone to solve your problems.

■ Customer Support Center information

	Phone	E-mail
USA ;	+1-801-748-1199	support@silexamerica.com
Europe;	+49-(0)2151-65009-0	support@silexeurope.com
Japan;	+81-(0)774-98-3981	support@silex.jp